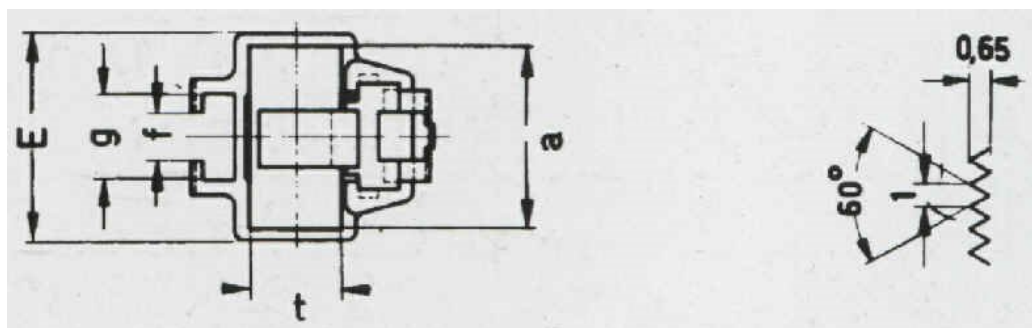
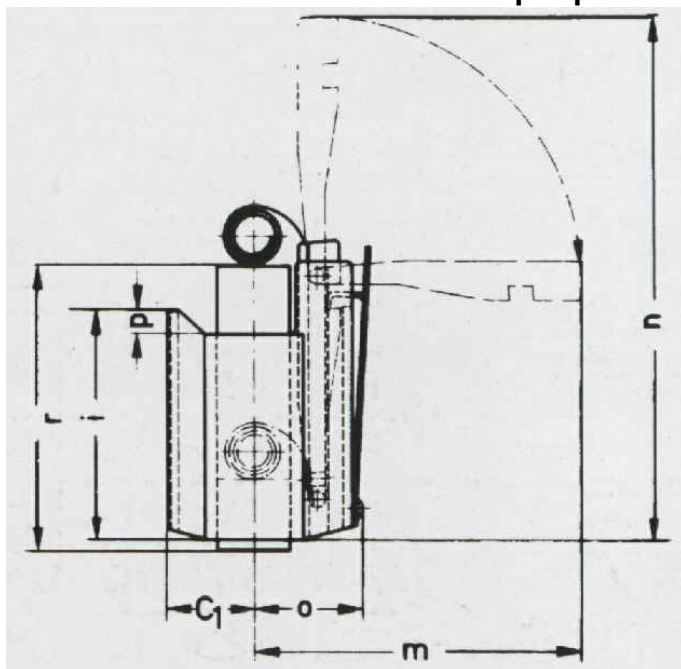


Single brush-holder with self-recoiling spring

Brush boxes are brass die-cast. For all peripheral speeds.



Order No.	Brush dimension t x a x r	C1	E	f	g	i	m	n	o	p
RTR 820	8x20x40	14	24	M6	10,5	32	44	71	17	4
RTR 1020	10x20x40	15	24	M6	10,5	32	45	71	18	4
RTR 1220	12,5x20x40	16,3	24	M6	10,5	32	46	71	19	4
RTR 1225	12,5x25x50	16,3	30	M6	10,5	40	57	90	21	5
RTR 1625	16x25x50	18	30	M6	10,5	40	59	90	23	5
RTR 1032	10x32x64	15,5	37	M8	14,5	50	66	110	20	5
RTR 1232	12,5x32x64	16,8	37	M8	14,5	50	67	112	21	5
RTR 1632	16x32x64	18,5	37	M8	14,5	50	69	114	23	5
RTR 2032	20x32x64	20,5	37	M8	14,5	50	71	116	25	5
RTR 2532	25x32x64	23	37	M8	14,5	50	73	116	28	5
RTR 2540	25x40x64	24,5	45	M8	14,5	50	73	116	29	5

All dimensions are given in mm