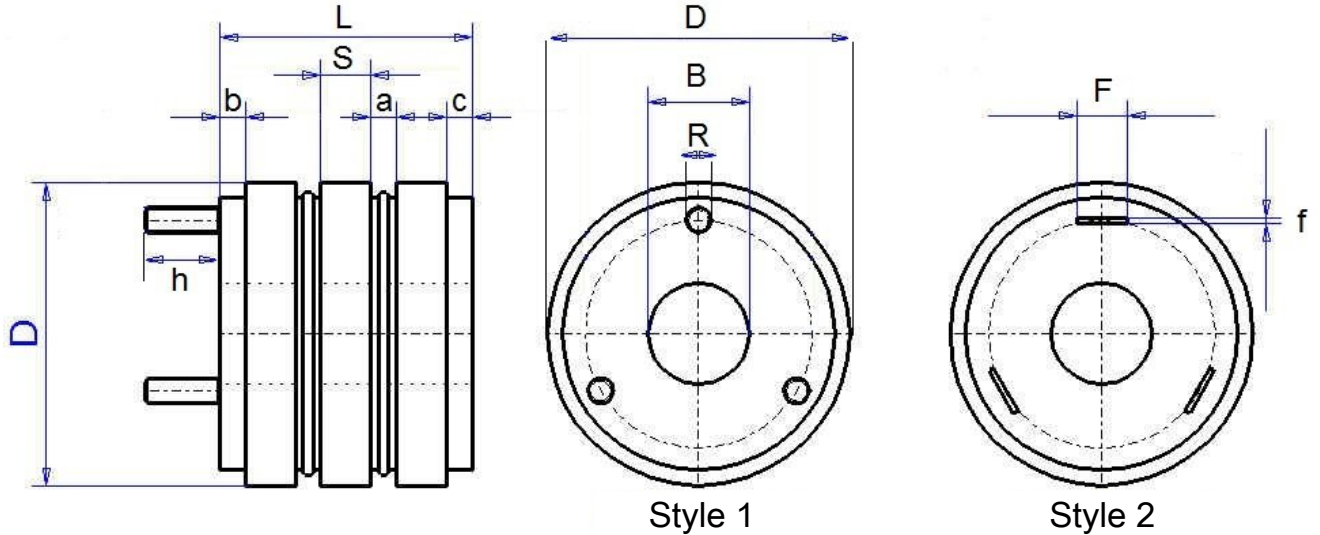




Moulded sliprings



Order No.	No. of rings	Max. current	D	S	B	can be bored out to	L	a	b	c	e	R	Fxf	h	Style	with iron brush
LS2-32-6.4-12	2	10A	32	6.4	12		19.8	4	1	2	19		4x1	10	2	
LS2-40-8-16	2	16A	40	8	16	20	28	6	3	3	26		8x1	15	2	
LS2-52-10-19	2	20A	52	10	19	30	29	7	1	1	40		5x1	12	2	
LS2-60-10-22	2	32A	60	10	22	32	34	7	4	3	42		8x1	15	2	
LS2-70-12.5-18	2	40A	70	12.5	18	42	41	6	5	5	55		10x1	15	2	
LS2-80-12.5-28	2	25A	80	12.5	28	38	40	7	4	4	54	M 5		20	1	
LS2-90-12.5-30	2	60A	90	12.5	30	50	42	7	5	5	67	M 6		22	1	
LS2-120-16-55	2	100A	120	16	55	67	53	8	8	5	90	M 8		25	1	*
LS3-36-6.4-14	3	12A	36	6.4	14	17	30.2	4	1.5	1.5	26		5x1.5	12	2	
LS3-40-9-17.7	3	16A	40	9	17.7		45	6	3	3	26		8x1	15	2	
LS3-52-12.5-23.8	3	25A	52	12.5	23.8	28	55.5	7	3	1	38	Ø 3		10	1	
LS3-55-10-18	3	16A	55	10	18	28	53	7	5	4	40	M 4		15	1	
LS3-60-12.5-18	3	25A	60	12.5	18	28	63	7	6	5.5	40	M 5		15	1	
LS3-65-12.5-18	3	40A	65	12.5	18	35	61.5	7	6	4	45	Ø 4		15	1	
LS3-70-12.5-25	3	25A	70	12.5	25	34	61.5	7	5	5	48	M 5		20	1	*
LS3-70-12.5-34	3	40A	70	12.5	34	40	61.5	7	5	5	50		10x1	15	2	
LS3-80-12.5-30	3	25A	80	12.5	30	40	59.5	7	4	4	54	M 5		20	1	*
LS3-85-12.5-34	3	60A	85	12.5	34	50	61.5	7	5	5	64	Ø 5		15	1	
LS3-90-12.5-30	3	60A	90	12.5	30	45	61.5	7	5	5	67	M 6		22	1	*
LS3-90-16-30	3	60A	90	16	30	45	72	7	5	5	67	M 6		22	1	*
LS3-100-12.5-30	3	75A	100	12.5	30	52	65.5	8	8	4	73	M 8		25	1	*
LS3-100-16-30	3	85A	100	16	30	52	76	8	8	4	73	M 8		25	1	*
LS3-100-20-30	3	100A	100	20	30	52	89	8	8	5	73	M 8		25	1	*
LS3-112-16-35	3	100A	112	16	35	58	80	10	8	4	82	M 8		25	1	*
LS3-120-16-40	3	100A	120	16	40	65	84	10	8	8	90	M 8		25	1	*
LS3-130-16-45	3	100A	130	16	45	70	86	11	8	8	98	M 8		25	1	*
LS3-140-16-48	3	100A	140	16	48	75	84	10	8	8	108	M 8		30	1	*
LS3-150-16-50	3	130A	150	16	50	80	90	12	10	8	112	M 10		35	1	*
LS3-150-20-50	3	160A	150	20	50	80	102	12	10	8	112	M 10		35	1	*
LS3-160-20-70	3	160A	160	20	70	90	108	15	9	9	125	M 10		35	1	*
LS3-180-25-67	3	250A	180	25	67	95	125	16	10	8	138	M 12		35	1	*
LS3-200-25-70	3	280A	200	25	70	110	125	16	12	6	152	M 12		35/40	1	*
LS3-220-32-100	3	350A	220	32	100	125	152	16	12	12	177	M 16		40/46	1	*
LS3-250-40-88	3	400A	250	40	88	135	176	18	12	8	200		30x6	42	2	*
LS4-60-10-22	4	25A	60	10	22	28	73	7	6	6	40	M 5		15	1	
LS4-70-10-27	4	40A	70	10	27	35	68	6	5	5	48	Ø 4		12	1	
LS4-80-12.5-29	4	25A	80	12.5	29	40	76	6	4	4	54	M 5		20	1	
LS4-90-16-38	4	60A	90	16	38	45	97	7	6	6	65	M 6		22	1	*
LS4-100-12.5-42	4	75A	100	12.5	42	55	79	7	4	4	73	M 8		25	1	
LS4-120-12.5-45	4	75A	120	12.5	45	65	88	10	4	4	90	M 8		25	1	*
LS4-150-20-50	4	160A	150	20	50	80	134	12	10	8	112	M 10		35	1	*
LS5-60-12.5-18	5	25A	60	12.5	18	28	98.5	7	4	4	40	M 5		15	1	
LS5-70-12-25	5	25A	70	12	25	34	110	10	5	5	48	M 5		20	1	
LS5-100-12.5-42	5	75A	100	12.5	42	55	98.5	7	4	4	73	M 8		25	1	
LS5-150-16-50	5	130A	150	16	50	80	133	10	5	8	112	M 10		29	1	*

All dimensions are given in mm.