

ETA-Thermal circuit breaker Type 3120-F324

Type 1: the 2-pole, breaker/switch combination is an ON/OFF switch with integral overcurrent protection

Applications: For overload protection of motors, pumps, transformers and cables, medical and laboratory equipment, professional tools, household and garden appliances, offices machines, audio equipment, machine tools

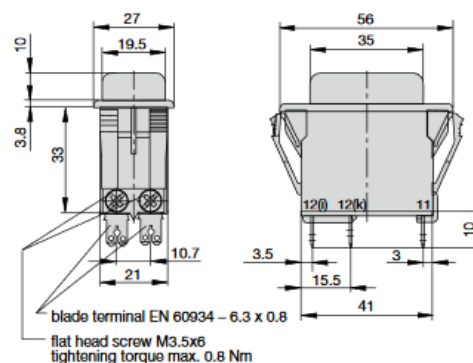
Style:

- 2-pole thermally protected
- white rocker without illumination
- 4 blade terminals
- water splash protection IP54 (cover)

Operating voltage: AC 240V, DC 50V

Available current ratings:
 4 / 5 / 6 / 8 / 10 / 12 / 14 / 16 A

3120-F 3.4
 with water splash protection (IP54)



Type 2: the 2-pole, breaker/switch combination is an ON/OFF switch with integral overcurrent protection, undervoltage release module, extra terminal for the connection of bimetal thermal protectors

Applications: All machines and devices where automatic re-start after restoration of power could be dangerous, e.g. drilling machines, electric saws, sausage slicers etc.

Style:

- 2-pole thermally protected
- white rocker without illumination
- 5 blade terminals
- water splash protection IP54 (cover)

Operating voltage: AC 240V, DC 50V

Available current ratings:
 4 / 5 / 6 / 8 / 10 / 12 / 14 / 16 A

